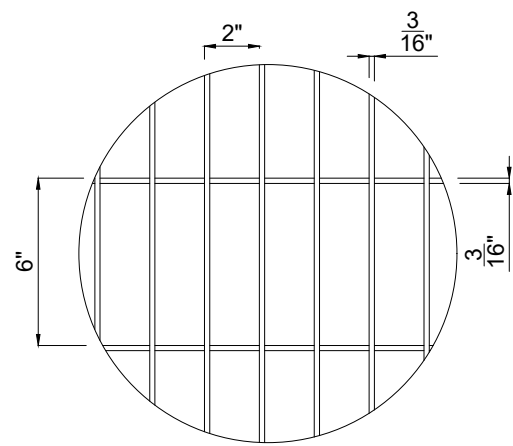
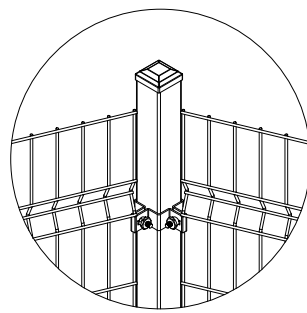


FRONT VIEW

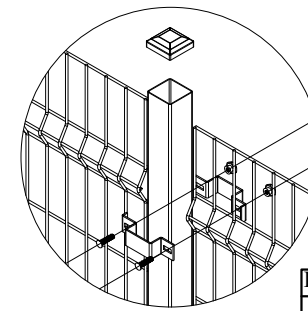
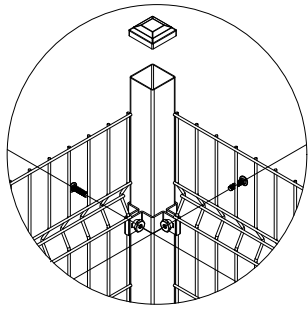
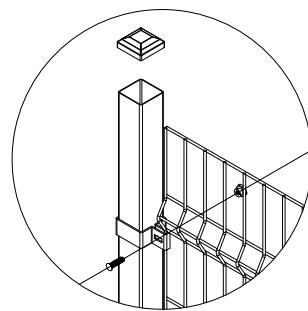
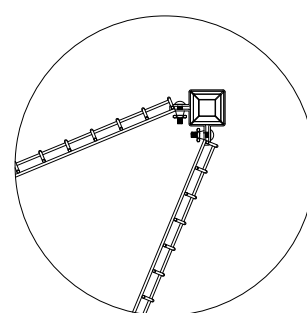
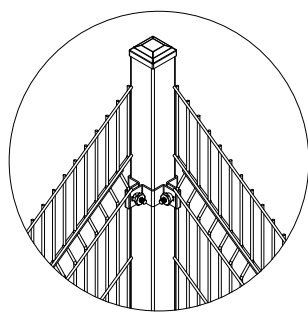
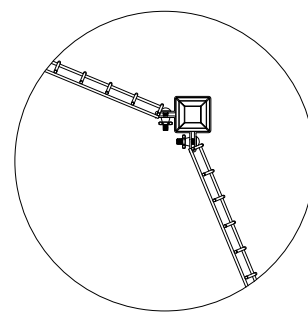
SIDE VIEW



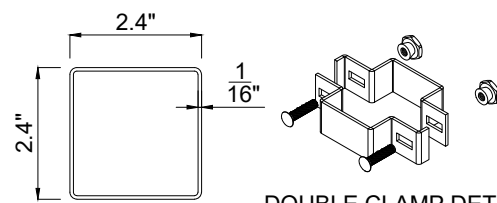
MESH SIZE DETAIL
SCALE 1:4



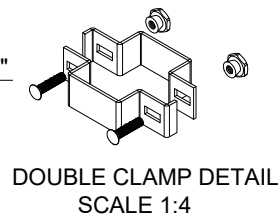
CORNER CLAMP DETAIL
SCALE 1:4



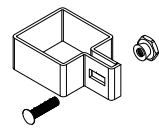
INSTALLATION DETAIL
SCALE 1:2



POST DETAIL
SCALE 1:8



DOUBLE CLAMP DETAIL
SCALE 1:4



SINGLE CLAMP DETAIL
SCALE 1:4

ITEM	SPEC
POST	134" length, 2.4"*2.4" square pipe, $\frac{1}{16}$ " thk, 180g/m ² , hot dipped galvanized + polyester powder coated (ral 7022)
PANEL	h*w:94"*96", wire thickness : $\frac{3}{16}$ " mesh size : 2"*6", 4 bends, 150g/m ² , hot dipped galvanized + polyester powder coated (ral 7022)
DOUBLE CLAMP	6 sets/post, 180g/m ² , hot dipped galvanized + polyester powder coated (ral 7022)
SINGLE CLAMP	6 sets/post, 180g/m ² , hot dipped galvanized + polyester powder coated (ral 7022)
CORNER CLAMP	6 sets/post, 180g/m ² , hot dipped galvanized + polyester powder coated (ral 7022)

DESCRIPTION:



PROJECT:

STANDARD DRAWING

REVISION # DESCRIPTION:

DATE:

BY:

CHECKED BY

DATE

NG

11/25/2025

DRAWN BY

SHEET

BF

1 OF 1

DRAWING #

SCALE

NTS

