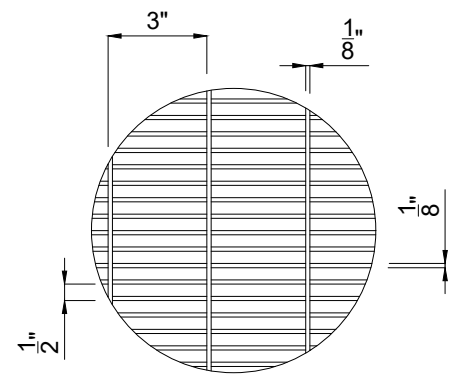
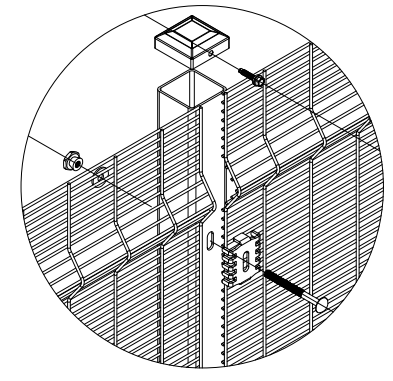


FRONT VIEW

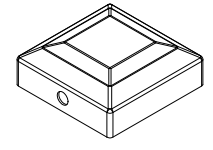
SIDE VIEW



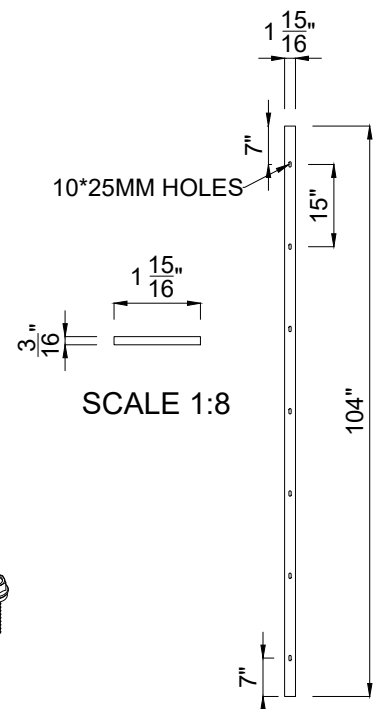
MESH SIZE DETAIL  
SCALE 1:6



INSTALLATION DETAIL  
SCALE 1:4

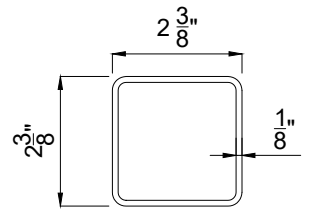


POST CAP DETAIL  
SCALE 1:10

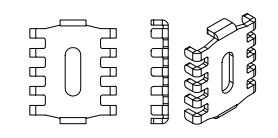


SCALE 1:8

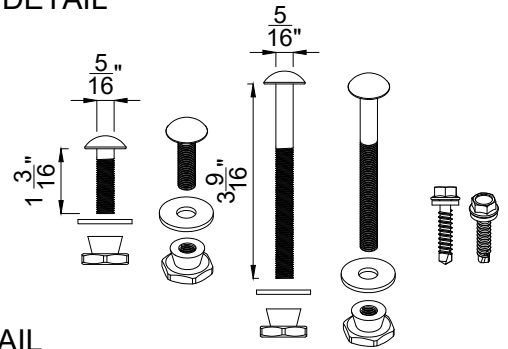
FLAT BAR



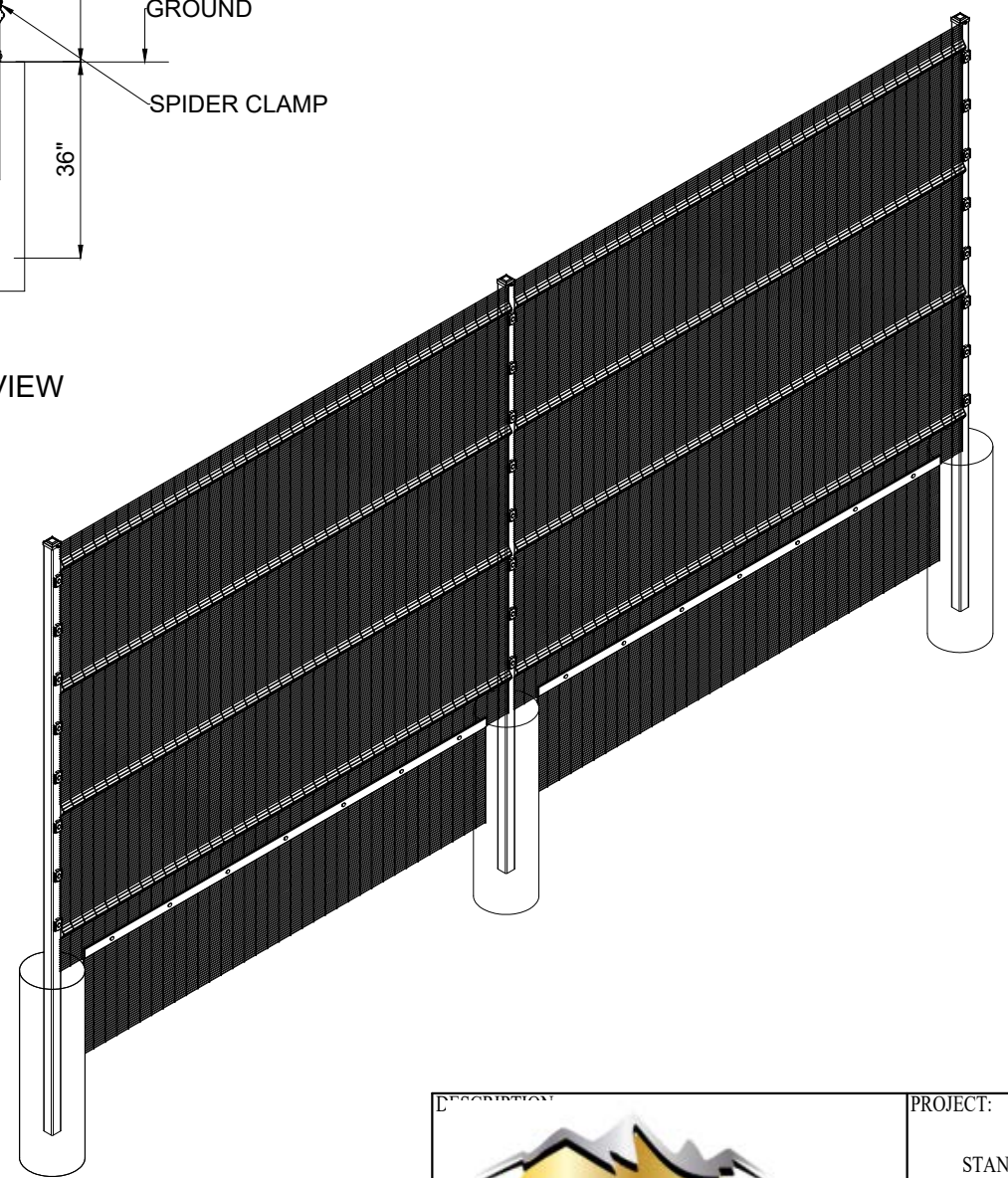
SQUARE PIPE DETAIL  
SCALE 1:10



SPIDER CLAMP DETAIL  
SCALE 1:8



BOLT SETS DETAIL  
SCALE 1:10



PROJECT:  
STANDARD DRAWING

REVISION #	DESCRIPTION:	DATE:	BY:	CHECKED BY AG	DATE 09/12/2025
				DRAWN BY BF	SHEET 1 OF 1
				DRAWING #	SCALE NTS

