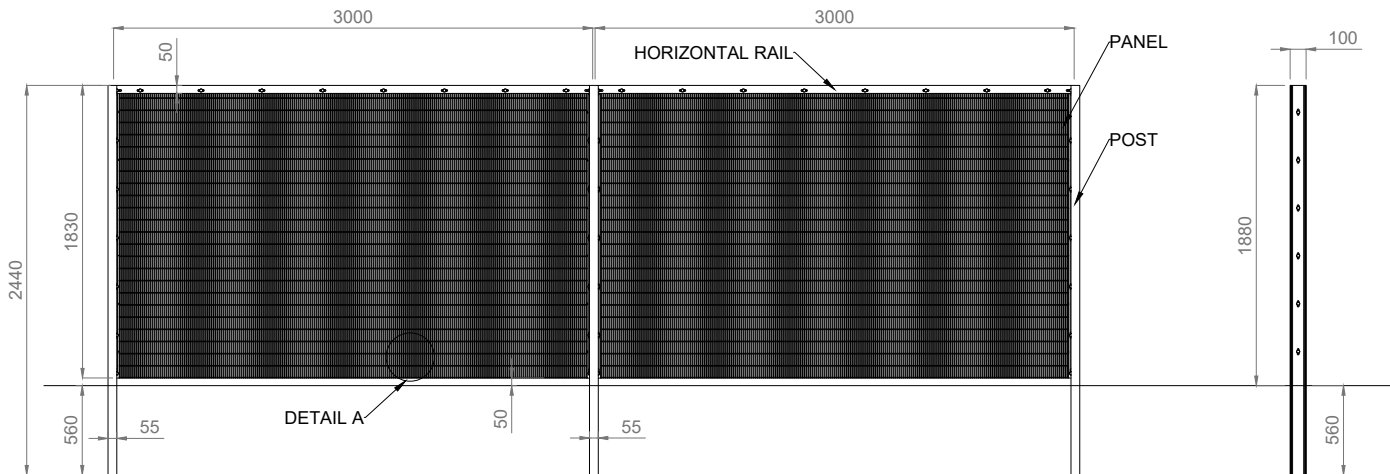
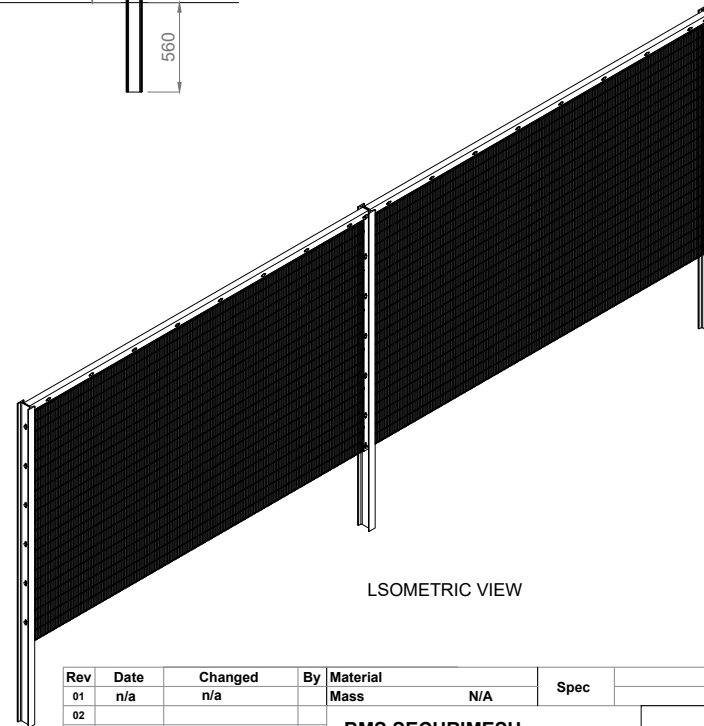
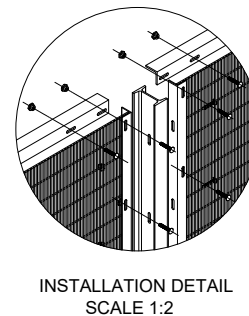
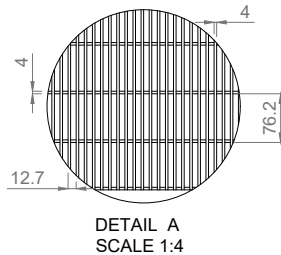
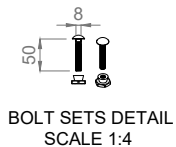
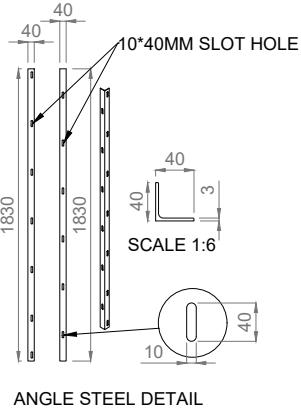
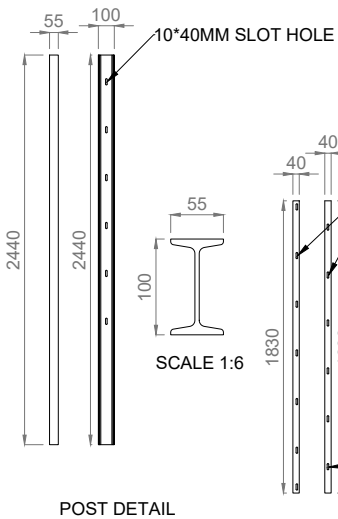
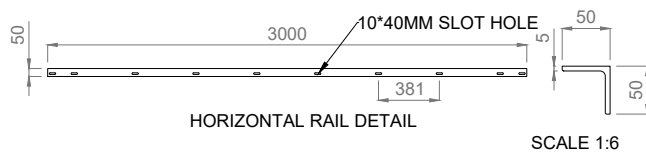


REV.01




HIGH SECURITY FENCE		
NO.S	ITEM	SPEC
1	POST	2440mm length, 100*55mm i-beam , galvanized + polyester powder coated(ral 9007)
2	PANEL	H*W:1830*3000mm, wire thickness : 4.0mm, mesh size : 76.2*12.7mm, galvanized + polyester powder coated(ral 9007)
3	HORIZONTAL RAIL	3000mm length , 50*50mm angle steel , 5.0mm thk. , galvanized + polyester powder coated(ral 9007)
4	ANGLE STEEL	1830mm length , 40*40mm angle steel , 3.0mm thk. , galvanized + polyester powder coated(ral 9007)
5	BOLT SETS	m8*50mm carriage bolt & self-break nut

DETAIL A



Rev	Date	Changed	By	Material	Spec
01	n/a	n/a		Mass	N/A
02					
03					
04					
05					
06					
07					

BMS SECURIMESH SECURITY FENCE SYSTEM		
Status	Designer	
Status by	Date	LUSIO FILIBA
		2026-05-27
		DIN A4 Scale 1:1
SECURITY FENCE SYSTEM		

PROPRIETARY & CONFIDENTIAL