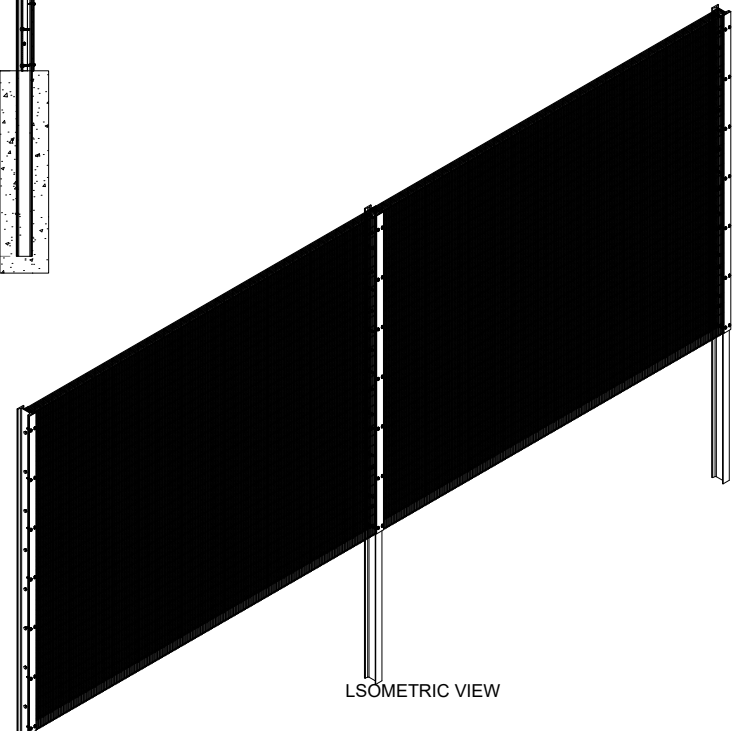
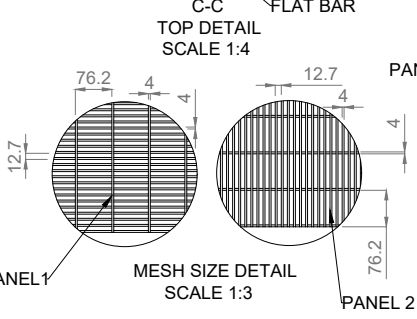
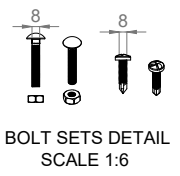
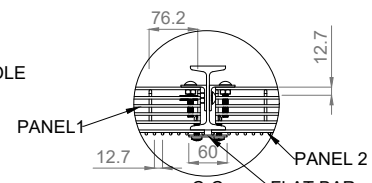
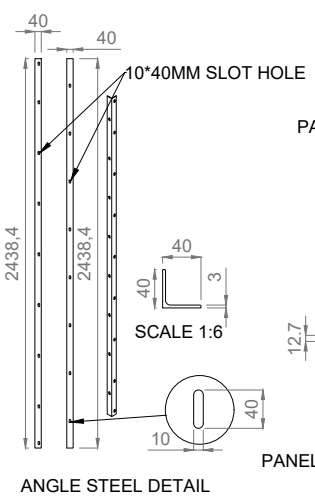
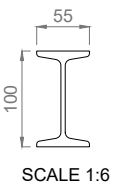
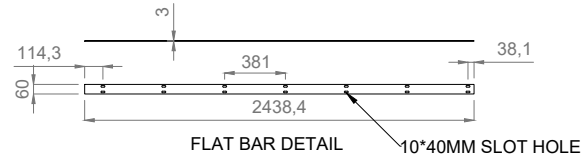
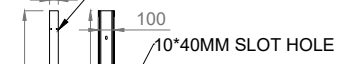


HIGH SECURITY FENCE		
NO.S	ITEM	SPEC
1	POST	3600mm length, 100*55mm i-beam , galvanized + polyester powder coated(ral 9007)
2	PANEL 1	H*W:2438.4*3048mm, wire thickness : 4.0mm, mesh size : 76.2*12.7mm, top bend galvanized + polyester powder coated(ral 9007)
3	PANEL 2	H*W:2438.4*3060.7mm, wire thickness : 4.0mm, mesh size : 12.7*76.2mm, galvanized + polyester powder coated(ral 9007)
3	FLAT BAR	2438.4mm length , 60mm flat bar , 3.0mm thk , galvanized + polyester powder coated(ral 9007)
4	ANGLE STEEL	2438.4mm length , 40*40mm angle steel , 3.0mm thk , galvanized + polyester powder coated(ral 9007)
5	BOLT SETS	m8 carriage bolt & hex nut , m8 one-way security screw



FOR M8 ONE-WAY SECURITY SCREW



Rev	Date	Changed	By	Material	Mass	Spec
01	n/a	n/a			N/A	
02						
03						
04						
05						
06						
07						

BMS SECURIFORCE FLATBAR

Status by: **LUSIO FILIBA**
 Date: 2026-05-21

DIN A4 Scale 1:1 **BMS SF DOUBLE PANEL**

PROPRIETARY & CONFIDENTIAL