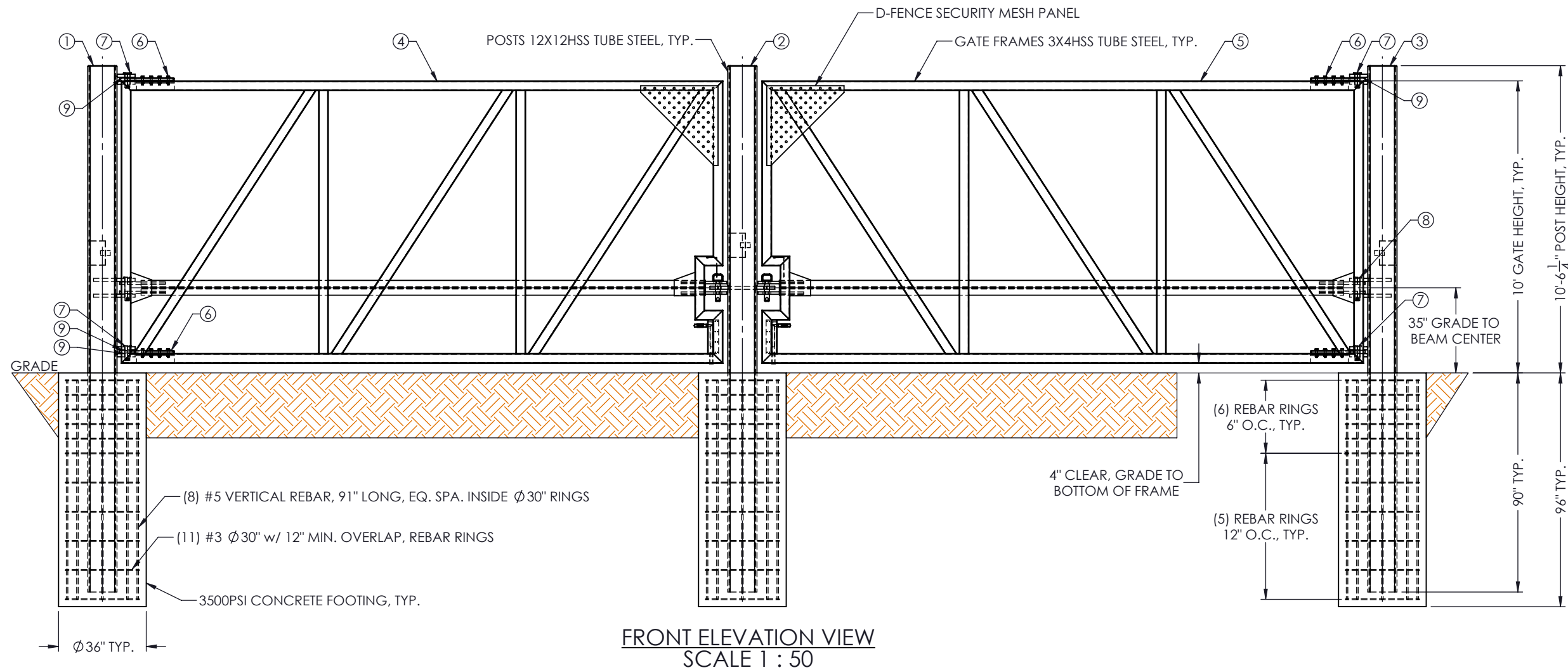
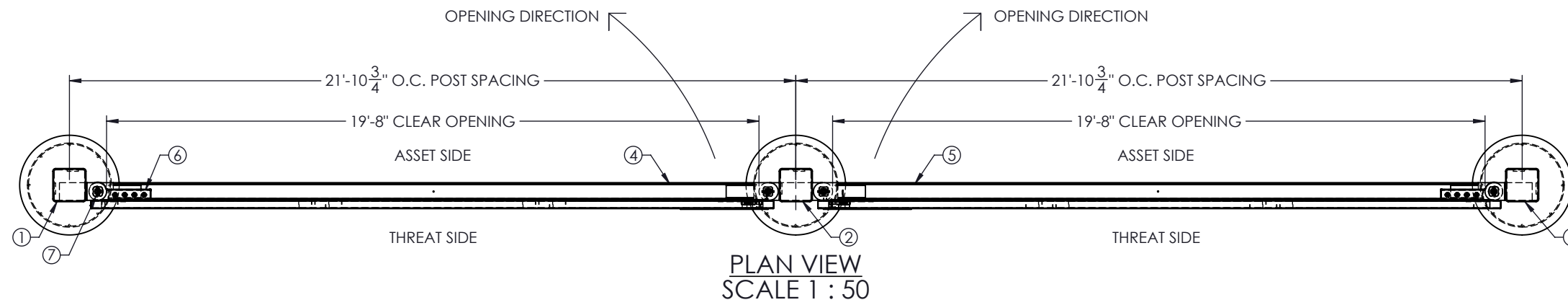



23051-5031D
[M30/P1 Dual Leaf Manual Swing Gate BOM]

ITEM NO.	DESCRIPTION	QTY
1	10' LH Hinge Post Assembly	1
2	10' Center Latch Post Assembly	1
3	10' RH Hinge Post Assembly	1
4	19'-8" CLEAR OPENING LH GATE	1
5	19'-8" CLEAR OPENING RH GATE	1
6	Knife Hinge Plate Assembly (Coated)	4
7	Pivot Pin for Gate Hinge Assembly (Coated)	4
8	Beam Hinge Pin Assembly (Coated)	2
9	1/8" Thick Bronze Thrust Bearing	12



REV #	DESCRIPTION:	DRAWN BY:	APPD BY:	DATE:
1	REVISED GATE HEIGHT FOR 10'			
0	APPROVED FOR SUBMITTAL			

PRODUCT:	SHEET DESCRIPTION: M30/P1 DUAL LEAF SWING GATE	
	PROJECT:	
	SCALE: Varies	SHEET: 1 OF 1